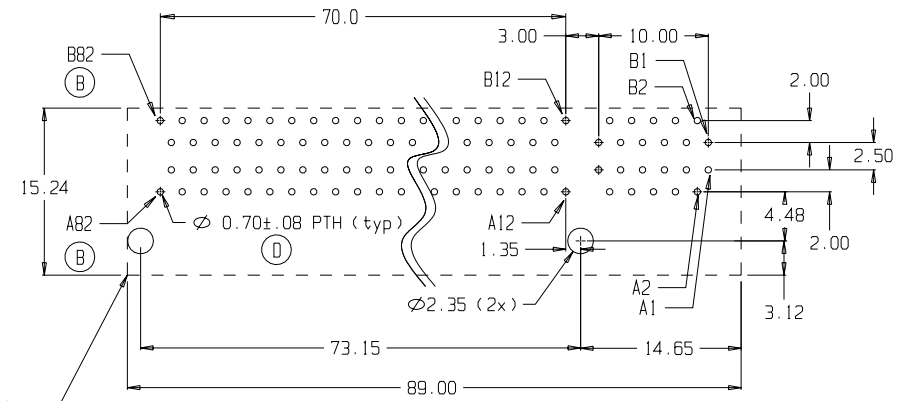
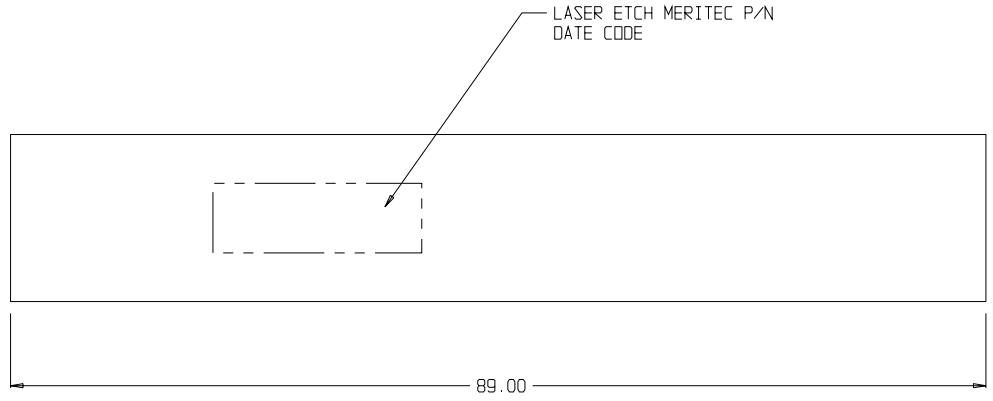
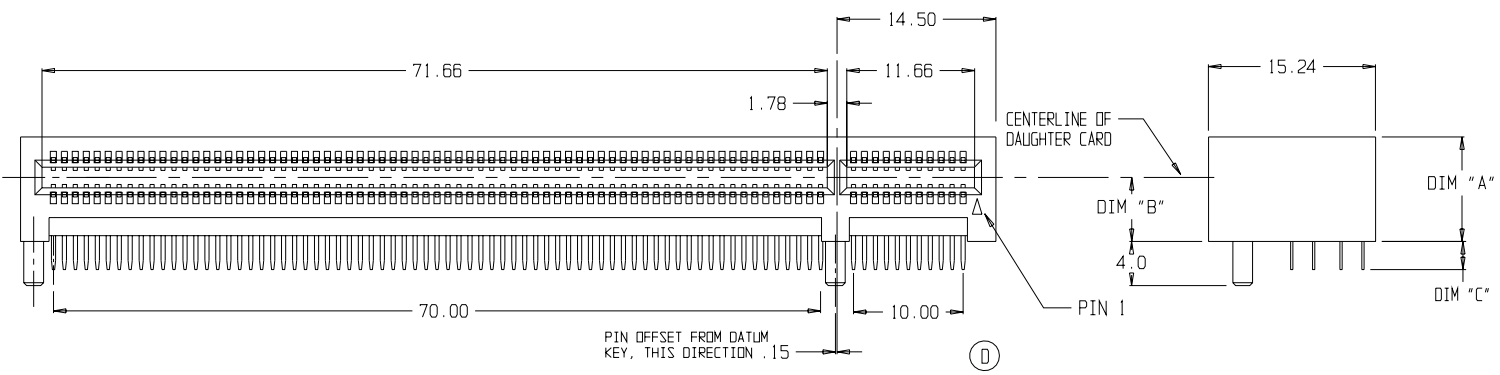


SYM	REVISION	DATE	BY
A	ECC# 1352-003	8/31/04	ALR
B	ECC# 1352-004	9/16/04	ALR
C	ECC# 1352-012	11/24/04	ALR
D	ECC# 1352-022	11/24/04	ALR



CONNECTOR FOOTPRINT

RECOMMENDED PCB LAYOUT
CONNECTOR SIDE SHOWN



MATERIALS:

CONNECTOR HOUSING -- GLASS FILLED LIQUID
CRYSTAL POLYMER, BLACK, UL 94V-0

CONTACTS -- COPPER ALLOY

CONTACT FINISH:

.000050" MIN. GOLD IN CONTACT AREA,
LEAD-FREE PLATING ON CONTACT TAILS,
OVER .000050" MIN. NICKEL ENTIRE CONTACT.

DIM "A"	DIM "B"	DIM "C"	MERITEC PART NO.
9.4 (.37)	5.84 (.230)	2.54 (.100)	983171-164-2MPF
9.4 (.37)	5.84 (.230)	3.18 (.125)	983172-164-2MPF
9.4 (.37)	5.84 (.230)	3.56 (.140)	983173-164-2MPF
14.7 (.58)	11.18 (.440)	2.54 (.100)	98317G-164-2MPF
14.7 (.58)	11.18 (.440)	3.18 (.125)	98317H-164-2MPF
14.7 (.58)	11.18 (.440)	3.56 (.140)	98317J-164-2MPF
20.3 (.80)	16.69 (.657)	2.54 (.100)	98317A-164-2MPF
20.3 (.80)	16.69 (.657)	3.18 (.125)	98317B-164-2MPF
20.3 (.80)	16.69 (.657)	3.56 (.140)	98317C-164-2MPF

ALL DIMENSIONS IN MILLIMETERS UNLESS OTHERWISE NOTED

UNLESS OTHERWISE NOTED
DIMENSIONS ARE IN INCHES

.XX .XXX .XXXX
± [] ± [] ± []



ANGLES ± [] FINISH:

TITLE
RT. ANGLE PCI EXPRESS™
X16 DAUGHTER CARD COMP. UP

DRAWN: ALRDATH DATE 04/10/04

PROJECT No 1352 SCALE NONE SHEET 1 OF 1

CHECKED: DATE

DWG No 1352-00302 REV D

RELEASED: DATE

NEXT ASS'Y DWG.

(C)

(B)

(D)