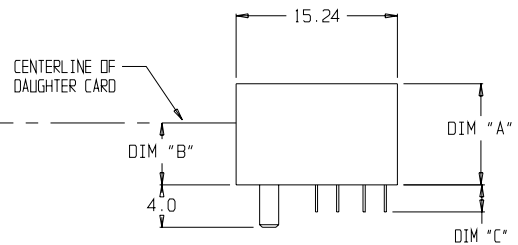
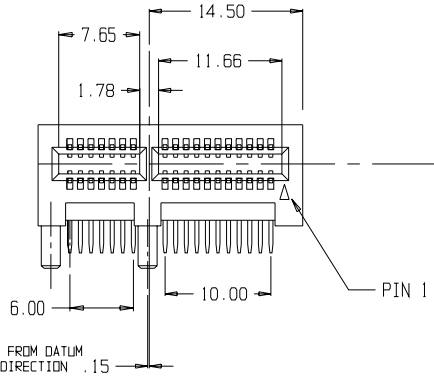
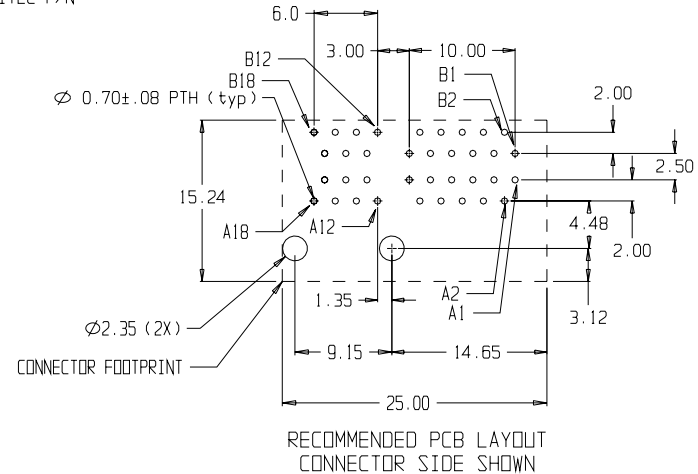
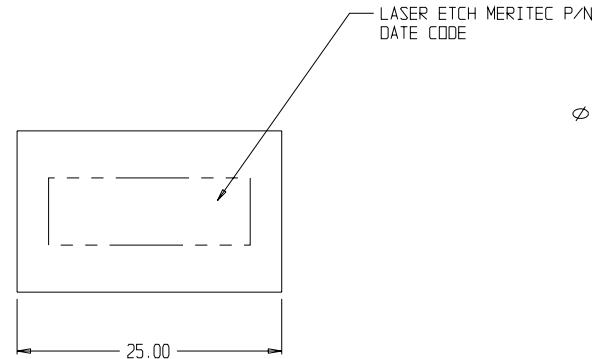


SYM	REVISION	DATE	BY
A	ECD# 1352-40211	1/19/07	CWB
B	ECD# 1352-40227	1/26/07	CWB




MATERIALS:
CONNECTOR HOUSING -- GLASS FILLED LIQUID CRYSTAL POLYMER, BLACK, UL 94V-0
CONTACTS -- COPPER ALLOY

CONTACT FINISH:
① .000050" MIN. GOLD IN CONTACT AREA,
GOLD FLASH PLATING ON CONTACT TAILS,
OVER .000050" MIN. NICKEL ENTIRE CONTACT.

DIM "A"	DIM "B"	DIM "C"	MERITEC PART NO.
9.4 (.37)	5.84 (.230)	2.54 (.100)	983171-036-2MMF
9.4 (.37)	5.84 (.230)	3.18 (.125)	983172-036-2MMF
9.4 (.37)	5.84 (.230)	3.56 (.140)	983173-036-2MMF
14.7 (.58)	11.18 (.440)	2.54 (.100)	98317G-036-2MMF
14.7 (.58)	11.18 (.440)	3.18 (.125)	98317H-036-2MMF
14.7 (.58)	11.18 (.440)	3.56 (.140)	98317J-036-2MMF
20.3 (.80)	16.69 (.657)	2.54 (.100)	98317A-036-2MMF
20.3 (.80)	16.69 (.657)	3.18 (.125)	98317B-036-2MMF
20.3 (.80)	16.69 (.657)	3.56 (.140)	98317C-036-2MMF

ALL DIMENSIONS IN MILLIMETERS UNLESS OTHERWISE NOTED

UNLESS OTHERWISE NOTED DIMENSIONS ARE IN MILLIMETERS		 <p>MERITEC A DIVISION OF ASSOCIATED ENTERPRISES CONFIDENTIAL PROPRIETARY INFORMATION</p>
ANGLES ± []	FINISH	
DRAWN: C. BALMANN		TITLE RT. ANGLE PCI EXPRESS™ X1 DAUGHTER CARD COMP. UP
DATE: 1/18/07		PROJECT No: 1352
CHECKED:		SCALE: NONE
RELEASED:		SHEET: 1 OF 1
NEXT ASS'Y DWG.		DWG No: 1352-0113865
		REV: B