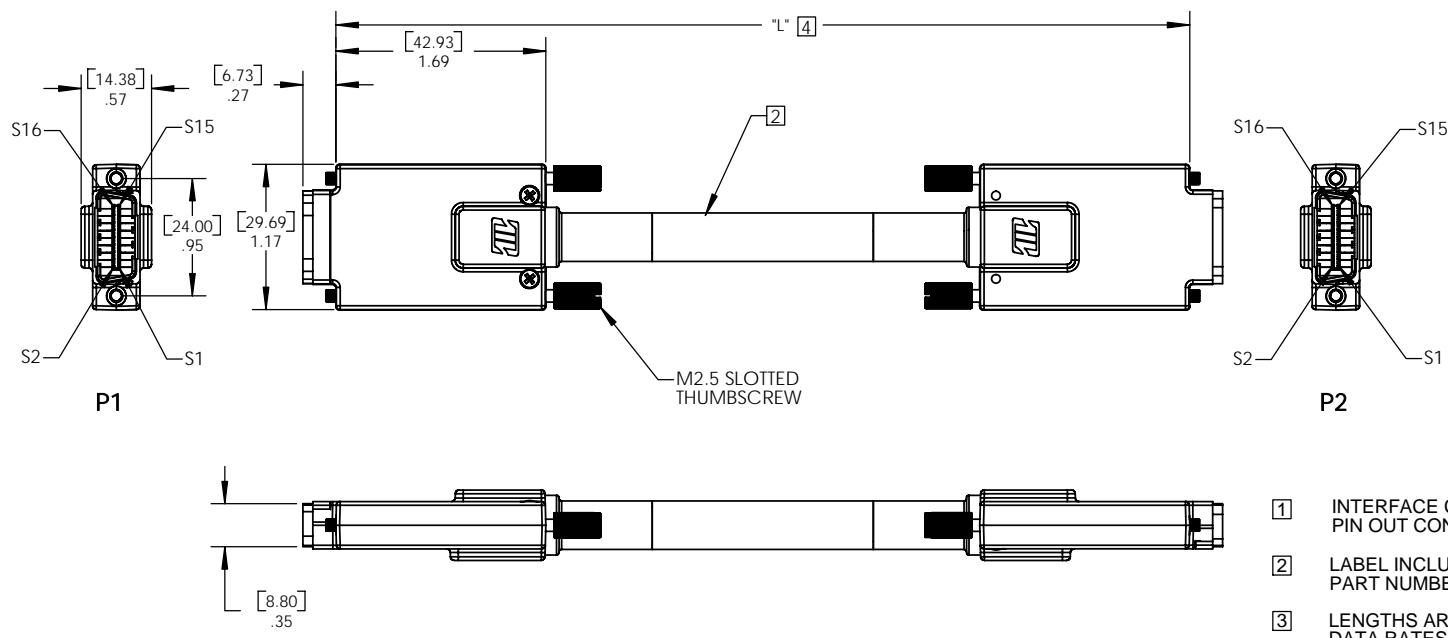


| | | | |
|-----|--------------|---------|-----|
| SYM | REVISION | DATE | BY |
| A | ECO#1382-001 | 3/17/05 | JCD |



- 1 INTERFACE CONFORMS TO INFINIBAND™ STANDARD
PIN OUT CONFORMS TO INFINIBAND™ STANDARD
- 2 LABEL INCLUDES MERITEC; DATE CODE; AND PART NUMBER
- 3 LENGTHS ARE BASED ON THE FOLLOWING DATA RATES:
INFINIBAND - 2.5 Gbps
CX4 - 3.25 Gbps
SAS - 3.0 Gbps

STANDARD PART NUMBERS - CONSULT FACTORY FOR CUSTOM CONFIGURATIONS
4X STRAIGHT BACKSHELL WITH THUMBSCREWS

| 24 AWG CABLE | | | | | 26 AWG CABLE | | | | | 28 AWG CABLE | | | | |
|--------------|--------------|-----|-----|-----|--------------|--------------|-----|-----|-----|--------------|--------------|-----|-----|-----|
| "L" | Meritec P/N | IB | CX4 | SAS | "L" | Meritec P/N | IB | CX4 | SAS | "L" | Meritec P/N | IB | CX4 | SAS |
| Meters | | | | | Meters | | | | | Meters | | | | |
| 0.5 | 986112-000.5 | yes | yes | yes | 0.5 | 986122-000.5 | yes | yes | yes | 0.5 | 986132-000.5 | yes | yes | yes |
| 1 | 986112-001 | yes | yes | yes | 1 | 986122-001 | yes | yes | yes | 1 | 986132-001 | yes | yes | yes |
| 2 | 986112-002 | yes | yes | yes | 2 | 986122-002 | yes | yes | yes | 2 | 986132-002 | yes | yes | yes |
| 3 | 986112-003 | yes | yes | yes | 3 | 986122-003 | yes | yes | yes | 3 | 986132-003 | yes | yes | yes |
| 4 | 986112-004 | yes | yes | yes | 4 | 986122-004 | yes | yes | yes | 4 | 986132-004 | yes | yes | yes |
| 5 | 986112-005 | yes | yes | yes | 5 | 986122-005 | yes | yes | yes | 5 | 986132-005 | yes | yes | yes |
| 6 | 986112-006 | yes | yes | yes | 6 | 986122-006 | yes | yes | yes | 6 | 986132-006 | yes | yes | yes |
| 7 | 986112-007 | yes | yes | yes | 7 | 986122-007 | yes | yes | yes | 7 | 986132-007 | no | yes | yes |
| 8 | 986112-008 | yes | yes | yes | 8 | 986122-008 | no | yes | yes | 8 | 986132-008 | no | yes | yes |
| 10 | 986112-010 | no | yes | yes | 10 | 986122-010 | no | yes | yes | 10 | 986132-010 | no | yes | yes |
| 12 | 986112-012 | no | yes | yes | 11.5 | 986122-011.5 | no | yes | yes | 11.5 | 986132-011.5 | no | yes | no |
| 14 | 986112-014 | no | yes | yes | 12 | 986122-012 | no | yes | no | | | | | |
| 16 | 986112-016 | no | yes | no | 13 | 986122-013 | no | yes | no | | | | | |
| 17 | 986112-017 | no | yes | no | | | | | | | | | | |

4 TOLERANCE TABLE:

| ITEM# | "L" LENGTH | TOLERANCE |
|-------|-------------------|---------------|
| 1 | UP TO 1M | ± 15.0mm |
| 2 | 1M TO 10M | ± 3% OF "L" |
| 3 | GREATER THAN 10 M | +0/-5% OF "L" |

| | | | | |
|--|---|-----------------|--|--|
| THIS DOCUMENT AND THE INFORMATION IN IT ARE CONFIDENTIAL PROPERTY OF MERITEC. THE DOCUMENT AND INFORMATION ARE PROVIDED TO YOU FOR YOUR REVIEW AND EVALUATION AND MUST NOT BE FURNISHED OR DISCLOSED TO OTHERS WITHOUT PRIOR WRITTEN CONSENT BY AN AUTHORIZED REPRESENTATIVE OF MERITEC. | UNLESS OTHERWISE NOTED DIMENSIONS ARE IN INCHES | | | MERITEC <small>A DIVISION OF ASSOCIATED ENTERPRISES</small> <small>CONFIDENTIAL PROPRIETARY INFORMATION</small> |
| | XXX | XXX | XXXX | |
| | ANGLES | + [] | FINISH | + [] |
| | DRAWN: JCD | DATE: 8/20/2004 | 4X STRAIGHT DIRECT ATTACH WITH THUMBSCREWS | |
| | CHECKED: | DATE: | PROJECT No: | SCALE: 1 OF 1 |
| RELEASED: | DATE: | FIG. No: | 1382-00130 | |
| NEXT ASSY DWG. | | | A | |